

# RFQ - ALL-GLASS ENTRANCE SYSTEMS



phone: 336 573 2393  
 fax: 336-573-2609  
 www.pressglass.us

DATE OF RFQ: \_\_\_\_\_ REQ BACK BY: \_\_\_\_\_

CUSTOMER: \_\_\_\_\_

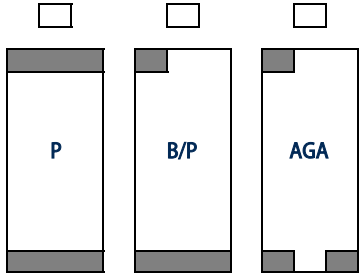
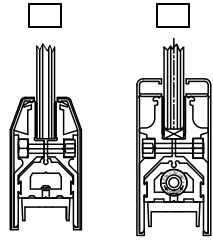
CONTACT: \_\_\_\_\_

PHONE: \_\_\_\_\_

EMAIL: \_\_\_\_\_

PROJECT NAME: \_\_\_\_\_

PAGES TOTAL: \_\_\_\_\_

<p><b>GLASS TYPE</b></p> <p><input type="checkbox"/> 1/2" Clear</p> <p><input type="checkbox"/> 1/2" Low Iron</p> <p><input type="checkbox"/> 1/2" Acid Etch</p> <p><input type="checkbox"/> Other _____</p>	<p><b>DOOR STYLE</b></p> <p><input type="checkbox"/> <input type="checkbox"/> <input type="checkbox"/></p>  <p>P B/P AGA</p>	<p><b>RAIL</b></p> <p><input type="checkbox"/> <input type="checkbox"/></p>  <p><input type="checkbox"/> 3 5/8"</p> <p><input type="checkbox"/> 4"</p> <p><input type="checkbox"/> 6"</p> <p><input type="checkbox"/> 10"</p> <p><input type="checkbox"/> OTHER: _____</p>	<p><b>METAL FINISH</b></p> <p><input type="checkbox"/> CLEAR ANODIZED (US28)</p> <p><input type="checkbox"/> DARK BRONZE ANODIZED</p> <p><input type="checkbox"/> BLACK ANODIZED</p> <p><input type="checkbox"/> POLISHED STAINLESS (US32)</p> <p><input type="checkbox"/> SATIN STAINLESS (US32D)</p> <p><input type="checkbox"/> OTHER _____</p>
--	---	---	--

**CLOSERS**

DORMA RTS88 OHCC W/ FLOOR PIVOT

DORMA BTS80 FLOOR CLOSER W/ TOP WBP

PIVOTS ONLY

PREP ONLY (CLOSERS OR PIVOTS B.O.)

OTHER: \_\_\_\_\_

**LOCKS**

NO LOCK

BOTTOM RAIL LOCK (P OR BP)

DORMA PATCH LOCK (AGA)

MAG LOCK: \_\_\_\_\_

SURFACE MOUNT: TYPE IF SPECIFIED \_\_\_\_\_

SHEAR/MORTISE: TYPE IF SPECIFIED \_\_\_\_\_

OTHER: \_\_\_\_\_

**PULL HDW.**

12" BTB (1" DIA)

12" PULL (ext.) x 27 3/4" PUSH (int) 1" dia

ROCKWOOD # \_\_\_\_\_ OA: \_\_\_\_\_

HOLES ONLY (PULL B.O.)

PANICS  TOP LATCH  BTM LATCH

EXTERIOR PULL: \_\_\_\_\_

OTHER: \_\_\_\_\_

**HEADER (DOOR OPENING)**

1 3/4" x 4 1/2"

1 3/4" x 4 1/8"

NO HEADER

OTHER: \_\_\_\_\_

**THRESHOLD: (DOOR OPENING)**

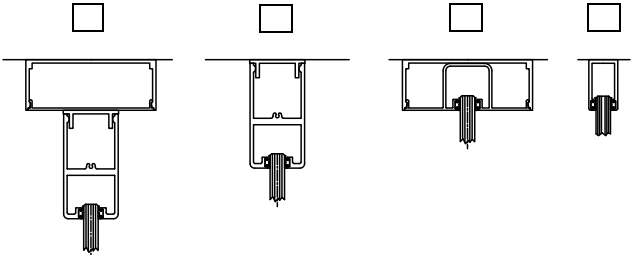
1/2" X 4" MILL ALUM

1/2" X 7" MILL ALUM

NO THRESHOLD

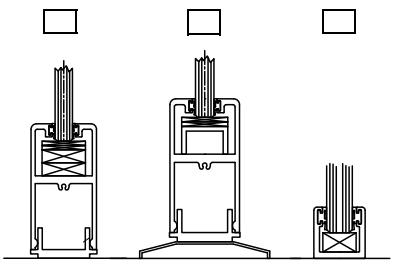
OTHER: \_\_\_\_\_

**SIDELITE HEAD CONDITION**



RECESSED

**SIDELITE SILL CONDITION**



**Notes / Drawing**